



RHEEM MPI SERIES HEAT PUMP



SOLAR

300%
EFFICIENT²

RATING

2 - 5

PEOPLE

325 L

CAPACITY

5
YEAR

CYLINDER
WARRANTY¹



FEATURES

- **Multi-pass heating** – Heats the water ‘isothermally’ by passing the water through the heat exchanger multiple times
- **Constant recovery** – Minimises energy use by heating at a ‘constant’, optimised rate
- **One man installation** – can be fully installed by plumbing trades
- **Energy efficient** – Cuts energy use and greenhouse gas emissions by up to 65%^{2,3}
- **No Solar Panels** – No structural load on your roof and looks better too
- **Back-up element** – Provides hot water regardless of the weather
- **Whisper technology** enables quieter operation
- **LED Display** – Enables you to easily check the operating status of the water heater
- Eligible for STCs⁵
- 5 year cylinder warranty¹



554 SERIES

- Concealed tempering valve – ensures neat installation
- Factory fitted tempering valve – no additional tempering valve required for installation⁴
- Adjustable tempering valve – to allow 50°C water delivery at outlet
- 5 year cylinder warranty¹

WHY CHOOSE RHEEM HEAT PUMP?

- Works day and night, as they don't rely on sunlight to operate
- Similar efficiency to traditional electric boosted solar systems
- Frost protected
- Offers a back-up element as standard, delivering hot water, even on the coldest winter nights



COMES ON STEADY, HOT AND STRONG

INSTALL A

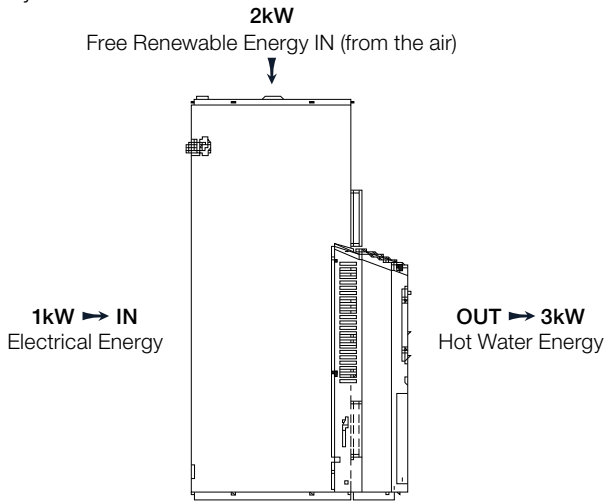




RHEEM MPI SERIES HEAT PUMP

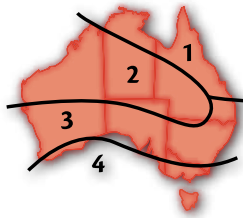
HOW IT WORKS

The MPI Series Rheem Heat Pump utilises the latest environmental heating technology to efficiently heat water. Free, renewable heat energy is absorbed and processed through a refrigeration system, resulting in hot water using a third of the energy of an electric water heater. These are similar savings to a solar water heater, but without needing panels mounted on your roof.



BACK-UP ELEMENT

Rheem Heat Pump models have a standard inclusion of a back-up element. Designed to activate only during very cold conditions, this feature ensures you have hot water is available in these conditions.



STCs

Small-scale Technology Certificates (STCs) are a financial benefit to encourage the installation of solar water heaters provided under a Federal Government legislated scheme.

This map shows the climate Zones within Australia which will define the number of STCs allocated to an approved solar water heater. Your installation may be eligible.⁵

To claim your STC entitlement, simply complete the STC Assignment form. Visit www.rheem.com.au/rebates to download the STC Assignment form.

¹ Warranty Conditions.
5 Years cylinder warranty, 3 Years labour on cylinder, 2 Years on sealed system including labour, 1 Year on all other parts and labour. Applies to domestic installations only. Conditions apply. See the Rheem warranty set out in the Owner's Guide & Installation Instructions or view at www.rheem.com.au/warranty. Amended warranty may apply where a government rebate has been received for the heat pump water heater. Phone 131 031 for details.

² Energy reduction of up to 65% based on Australian Government Approved TRNSYS simulation modelling and apply when replacing an electric water heater with a Rheem Heat Pump water heater in zone 3.

³ Rheem MPI-325 Heat Pump water heaters are recommended for connection to either 24 hour continuous tariff or extended off peak (min 16 hours/ day). Any financial savings on an electricity account will depend on the tariff arrangement of the water heater being replaced. Maximum financial savings can be achieved only when the tariff for the electric water heater being replaced is 24 hour continuous. Consult your energy provider for more information on tariff details.

⁴ 50°C factory pre-set models supply hot water to a maximum 50°C at all outlets in accordance with AS3498. Some applications may require tempering, refer to AS3500.4.

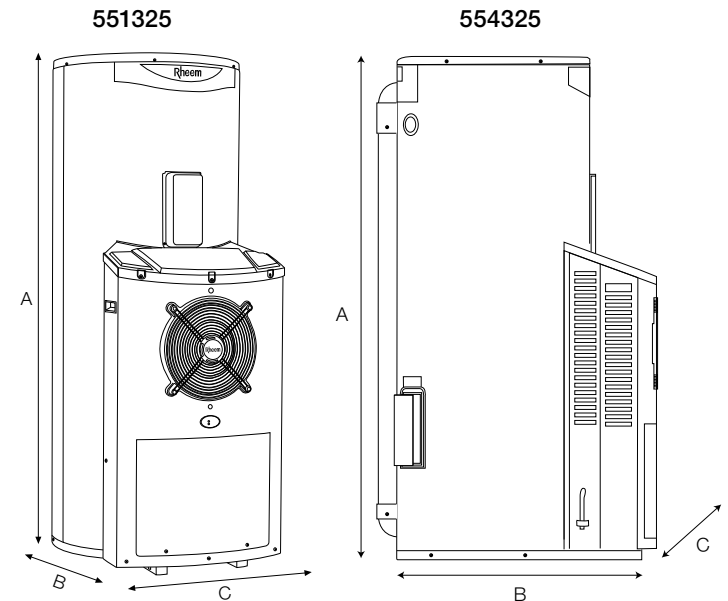
⁵ Eligibility criteria apply.

Materials and specifications are subject to change without notice.

* Registered Trademark of Rheem Australia Pty Ltd.

™ Trademark of Rheem Australia Pty Ltd.

MODEL	MPI-325		
Product Code	551325	554325	
Suitable for No. of People (moderate climate)	2 - 5	2 - 5	
Dimensions			
Height (A)	mm	1631	1636
Width (B)	mm	863	976
Depth (C)	mm	638	638
Weight			
Heat Pump Module	kg	42	42
Tank	kg	88	90
Technical			
Storage Capacity	L	325	325
Power Input	Watts	800	800
Refrigerant		R134a	R134a
Element Sizes	kW	3.6	3.6
Boost Capacity	L	180	180
Water Connections & Settings			
Inlet	RP	¾/20	¾/20
Outlet	RP	¾/20	¾/20
Tank Relief Valve Setting	kPa	1000	1000
ECV Setting	kPa	850	850
Maximum Mains Pressure Settings			
With ECV	kPa	680	680
Without ECV	kPa	800	800
Min. Water Supply Pressure	kPa	200	200



Rheem Australia Pty Ltd.

1 Alan Street, Rydalmere, New South Wales 2116, Australia
PO Box 7508, Silverwater, New South Wales 2128, Australia

